



DEVELOPMENT VISION NAMUR-HIPPODROME DISTRICT

- 1. An innovative carbon-neutral district with a small ecological footprint, anchored in the community;**
- 2. A complete, diversified and inclusive living environment that favours a family-friendly lifestyle;**
- 3. Active and collective mobility, the foundation for a district open to the city;**
- 4. A network of integrated green public spaces shaping the spatial organization of the district;**
- 5. A renewed identity of the site.**



How can a vision and guiding principles be transformed into a real project, within a reasonable time frame, when Montréal is confronted with...

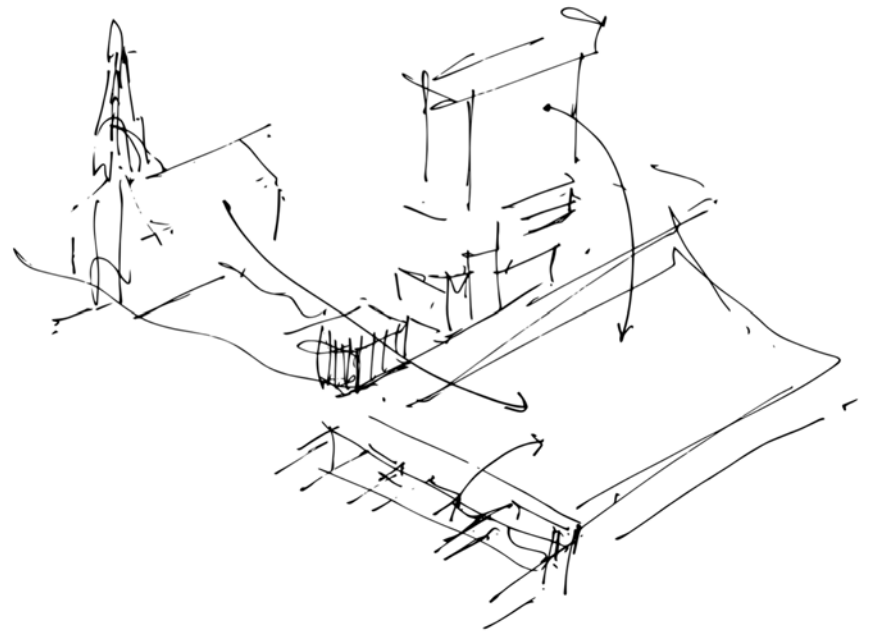
AFFORDABILITY

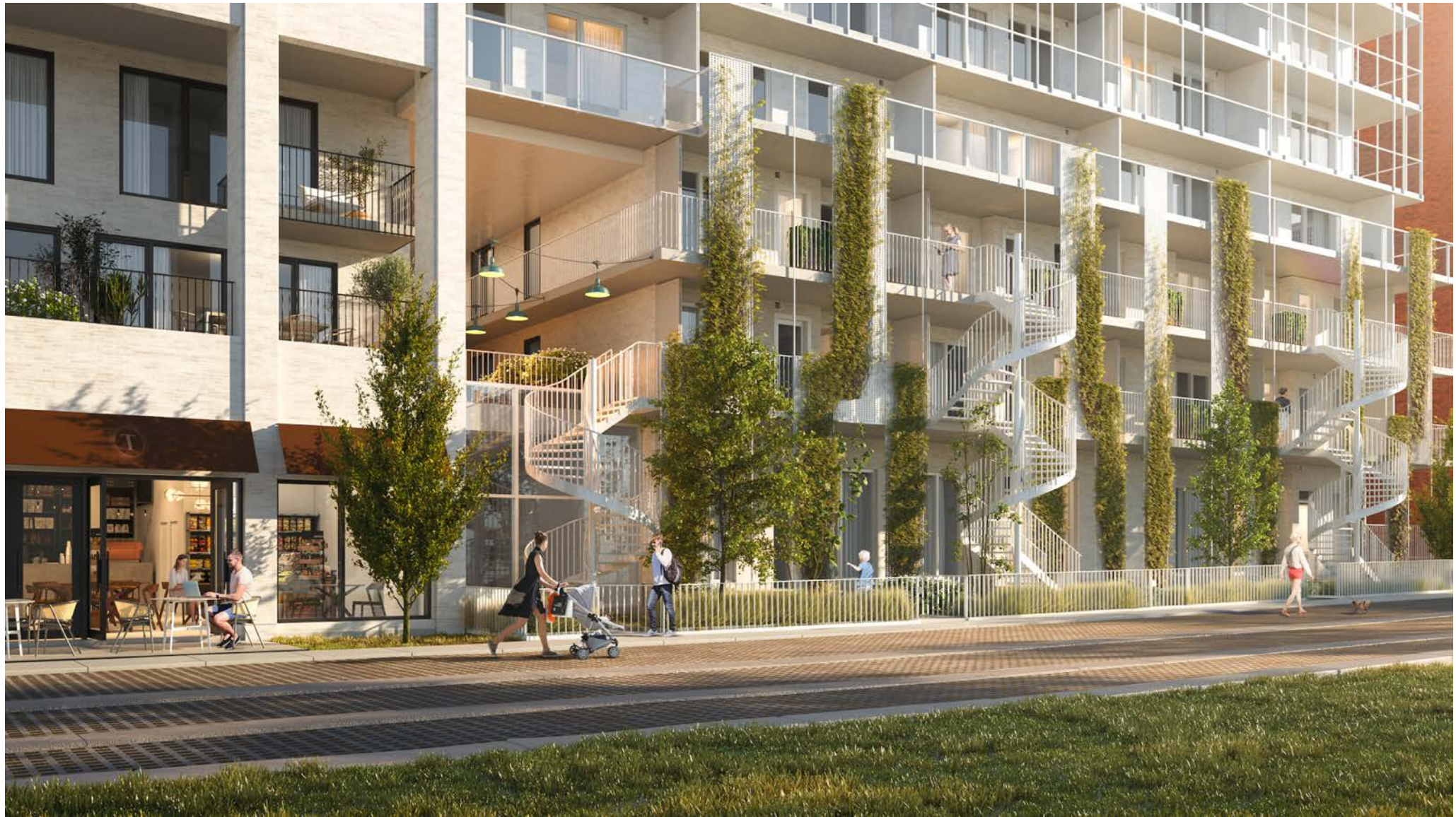
HOUSING SHORTAGES

**320,000
NEW
HOUSEHOLDS**

- **Affordable**
- **Mixed**
- **Innovative**
- **Dynamic**
- **Safe**
- **Eco-responsible**
- **Green spaces**
- **Public transit**
- **Active transportation**

Densification







- + **Green spaces**
- + **Sunlight and illumination**
- + **Public spaces**
- + **Views**





- + **Safety**
- + **Services**
- + **Public transportation**
- + **Animation**
- + **Schools**
- + **Community centres**
- + **Housing**
- + **Affordability**